

5

4

3

2

1

D

C

B

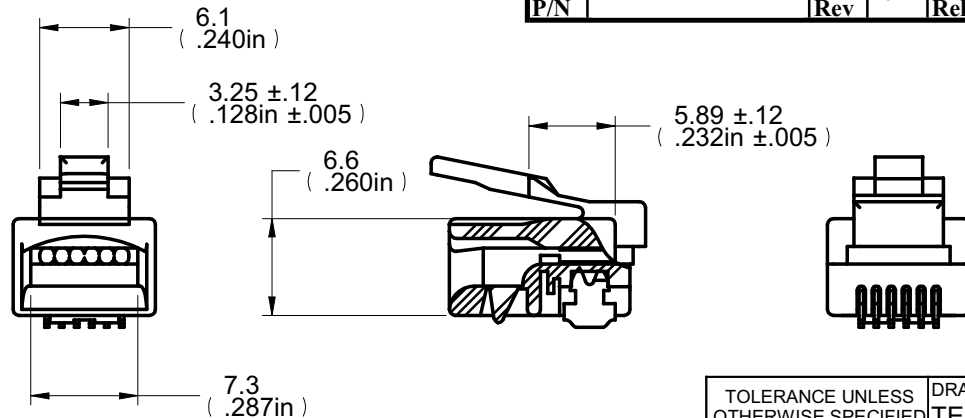
A



Description: RJ12 MOD Plug 50"U,SOL/STR,FLT  
 Part No: 32-5996UL  
 Application: Modular Plug  
 Crimp Tool: N/A  
 Insulation Resistance: 1000 Ohms  
 Frequency Range: N/A  
 Material: Housing Polycarbonate  
 Contact Phosphor bronze Gold plated  
 Insert bar Polycarbonate  
 RoHS Compliance: Yes  
 Technical Detail: N/A

DRAWING NO. 32-5996UL- CUST	
REVISIONS	
OFFICIAL RELEASE	
01	2009.09.08 <i>Betty</i>
08-23-09	T W B Y T
	09:30:14 + 08'00'

受控 CONTROLLED DOCUMENT					
编号 P/N	32-5996UL-C UST	版本 Rev	01	日期 Rel'd Date	SEP 14,09



**DIM OUTLINE**

**CUSTOMER COPY**

TOLERANCE UNLESS OTHERWISE SPECIFIED		DRAWN BY TERRY.W	DATE 08-23-09
DECIMALS	mm	CHECKED BY BETTY.YU	DATE 08-23-09
X	± 0.5	APPROVED BY THOMAS	DATE 08-23-09
X.X	± 0.3	U/M	mm
X.XX	± 0.1		
ANGLES	± 0.5°		

**EMERSON**  
Network Power

**Connectivity Solutions**

TITLE  
RJ12 MOD PLUG 50"U,SOL/STR,FLT

THIS DRAWING WAS PRODUCED BY COMPUTER, DO NOT SCALE DRAWING OR UPDATE MANUALLY.		SHEET 1 OF 1	DRAWING NO. <b>32-5996UL-CUST</b>	SIZE A
--	--	-----------------	--------------------------------------	-----------

5

4

3

2

1

D

C

B

A